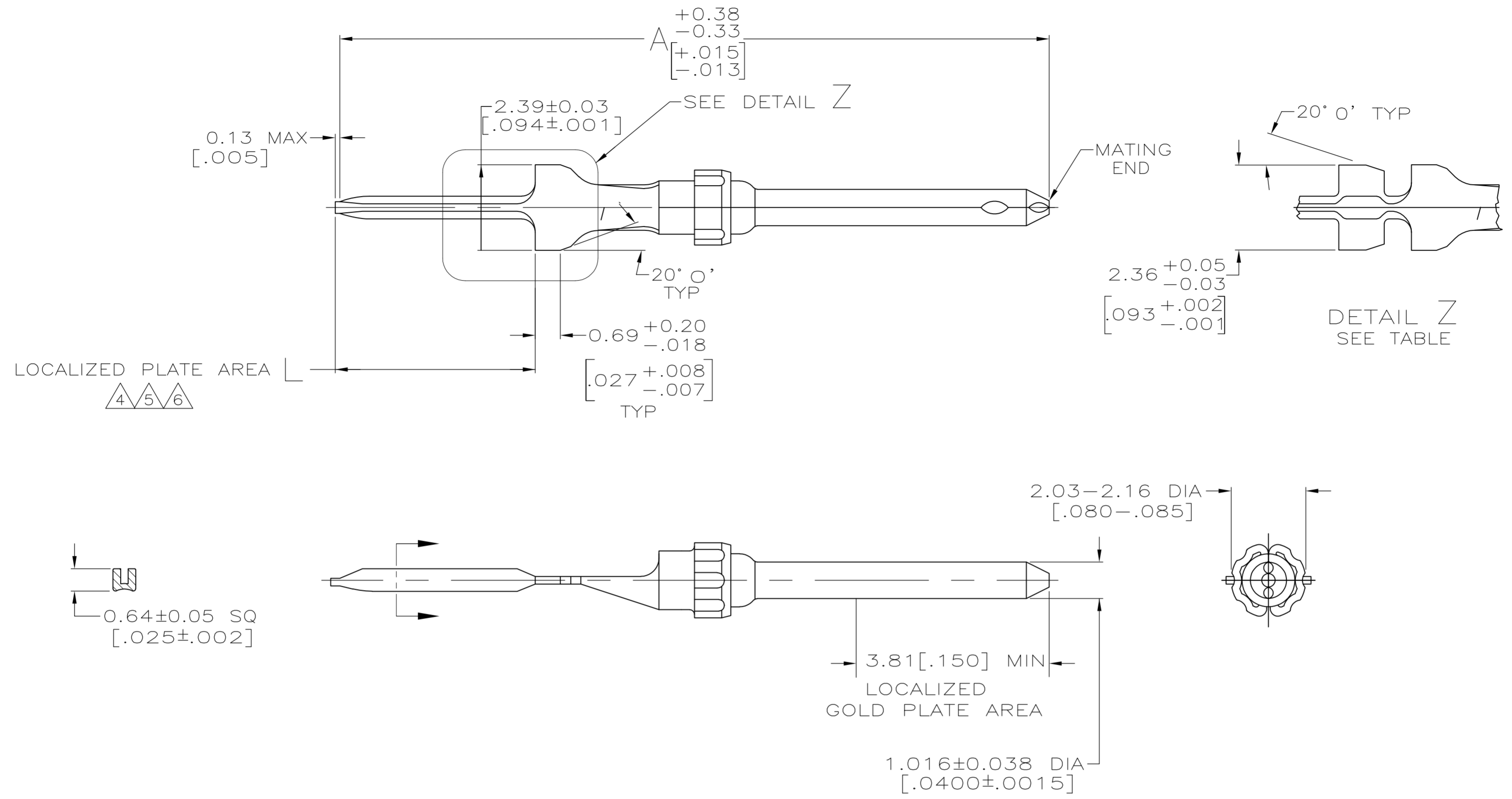


THIS DRAWING IS UNPUBLISHED. RELEASED FOR PUBLICATION  
 © COPYRIGHT BY TYCO ELECTRONICS CORPORATION. ALL RIGHTS RESERVED.

LOC	DIST	REVISIONS			
P	LTR	DESCRIPTION	DATE	DWN	APVD
GP	00	REVISED PER ECO-08-007460	24JUN2008	ZMRC	WJR



- FOR MATING CONTACT SEE DRAWING 745288.
- TO BE USED FOR REPLACEMENT ONLY.
- GOLD PLATED FOR LENGTH OF 3.81  $[\cdot150]$  MIN FROM MATING END, GOLD FLASH IN MATED AREA.  $2.54 \mu\text{m}$   $[\cdot000100]$  MIN TIN-LEAD ON AREA L, ALL OVER  $1.27 \mu\text{m}$   $[\cdot000050]$  MIN NICKEL.
- GOLD PLATED FOR LENGTH OF 3.81  $[\cdot150]$  MIN FROM MATING END,  $0.76 \mu\text{m}$   $[\cdot000030]$  MIN GOLD IN MATED AREA.  $2.54 \mu\text{m}$   $[\cdot000100]$  MIN TIN-LEAD ON AREA L, ALL OVER  $1.27 \mu\text{m}$   $[\cdot000050]$  MIN NICKEL.
- GOLD PLATED FOR LENGTH OF 3.81  $[\cdot150]$  MIN FROM MATING END, GOLD FLASH IN MATED AREA AND AREA L, ALL OVER  $1.27 \mu\text{m}$   $[\cdot000050]$  MIN NICKEL. GOLD PLATING ON EDGE CARRIER NOT REQUIRED.
- GOLD PLATED IN LOCALIZED GOLD PLATE AREA AS FOLLOWS:  
 $0.76 \mu\text{m}$   $[\cdot000030]$  MIN GOLD IN MATED AREA  $2.54 \mu\text{m}$   $[\cdot000100]$  MIN TIN ON AREA L, ALL OVER  $1.27 \mu\text{m}$   $[\cdot000050]$  MIN NICKEL UNDERPLATE.  
 OR  
 GOLD FLASH OVER PALLADIUM-NICKEL PLATE,  $0.76 \mu\text{m}$   $[\cdot000030]$  MIN TOTAL IN MATED AREA,  $2.54 \mu\text{m}$   $[\cdot000100]$  MIN TIN ON AREA L, ALL OVER  $1.27 \mu\text{m}$   $[\cdot000050]$  MIN NICKEL UNDERPLATE.

RETENTION TINES	A	FINISH	PART NO
AS SHOWN	21.67 $[\cdot853]$	$\triangle 6$	5-745287-4
PER DETAIL Z	33.07 $[\cdot1302]$	$\triangle 6$	5-745287-0
PER DETAIL Z	27.43 $[\cdot1080]$	$\triangle 6$	4-745287-7
OBSOLETE	AS SHOWN	$\triangle 5$	4-745287-2
OBSOLETE	AS SHOWN	$\triangle 4$	2-745287-0
SUPERSEDED BY 2-745287-0	AS SHOWN	$\triangle 3$	1-745287-8
OBSOLETE	PER DETAIL Z	$\triangle 4$	1-745287-2
OBSOLETE	PER DETAIL Z	$\triangle 3$	1-745287-0
OBSOLETE	PER DETAIL Z	$\triangle 4$	745287-8
OBSOLETE	PER DETAIL Z	$\triangle 4$	745287-6
OBSOLETE	AS SHOWN	$\triangle 4$	745287-4
OBSOLETE	AS SHOWN	$\triangle 3$	745287-2

THIS DRAWING IS A CONTROLLED DOCUMENT.

DWN R. SHIREY 01/29/91	Tyco Electronics Corporation Harrisburg, PA 17105-3608						
CHK J. McCLINTON 2-6-91							
APVD -							
NAME							
DIMENSIONS: INCHES	TOLERANCES UNLESS OTHERWISE SPECIFIED:	PRODUCT SPEC	APPLICATION SPEC	SIZE	CAGE CODE	DRAWING NO	RESTRICTED TO
0 PLC ± -	1 PLC ± -	2 PLC ± .13 $[\cdot005]$	3 PLC ± -	4 PLC ± -	ANGLES ± 0'30"	WEIGHT -	A2 00779 C=745287
MATERIAL BRASS PER MIL-C-50	FINISH SEE TABLE	CUSTOMER DRAWING	SCALE 10:1	SHEET 1 of 1	REV L		